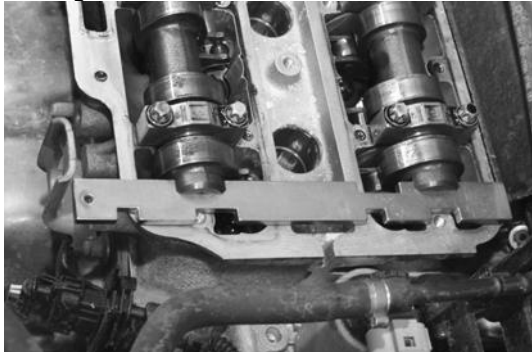


KL-0780-20 K

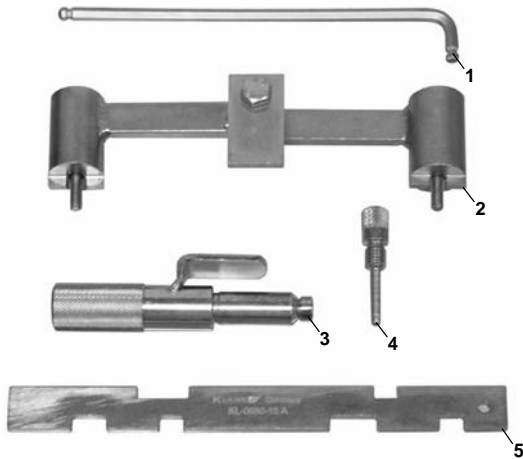


Application example:

Locking the camshafts



Scope of delivery: KL-0780-20 K



KL-0780-20 K Locking Tool Set Volvo petrol

Suitable for Volvo 1.6, 1.8, 1.9, 2.0, 2.3, 2.4, 2.5, 2.8, 2.9 and 3.0 L TwinCam petrol engines e.g on C30, C70, S40, S40 II, S60, S70, S80, V40, V50, V70, V70 II.

Engine codes:

B 4164 S3, B 4184 S2, B 4184 S8, B 4184 S9, B 4184 S11, B 4194 T2, B 4204 S2, B 4204 S3, B 4204 T3, B 5204 T2, B 5204 T3, B 5204 T4, B 5204 T5, B 5234 FS, B 5234 T3, B 5234 T7, B 5234 T8, B 5244 S, B 5244 S2, B 5244 S4, B 5244 S5, B 5244 SG, B 5244 SG2, B 5244 T, B 5244 T2, B 5244 T3, B 5244 T5, B 5244 T7, B 5254 T2, B 5254 T3, B 6284 T, B 6294 S, B 6294 S2, B 6294 T

Application

This tool set is designed to lock and/or position flywheels as well as engine shafts such as camshaft and crankshaft. It can also be used to adjust the timing belt tensioner. Indispensable tool when replacing a timing belt or performing an engine repair.

Advantages

- Safe and accurate positioning of engine shafts such as camshafts and crankshafts.
- Substantial time savings.

Scope of delivery

Pos.	Part No.	Description	Qty.
	KL-0780-20 K	Locking Tool Set Volvo petrol	1
<i>consists of:</i>			
1	KL-0280-2202 A	Special hexagon socket key To position timing belt tensioner	1
2	KL-1280-221 A	Locking tool for camshafts	1
3	KL-1280-222 A	Locking Pin for crankshaft	1
4	KL-0680-17	Locking Pin for crankshaft	1
5	KL-0680-15 A	Setting Gauge for camshafts	1
	KL-0780-2090	Plastic case	1